



A division of **ROSCO**  
www.gamonline.com

# Stik-Up

GAM Product #SU2610  
Rosco Product #204 42610 0000



## PRODUCT DESCRIPTION

### COMPACT SINGLE SOURCE LUMINAIRE

- Operates at 120, 230 or 12 volts – AC or DC
- 100W, 3000 Kelvin source ideal for fill light
- 100 thru 200 watt lamps to choose from
- It's a soft-light, key-light, back-light, fill-light, all in one
- Can be battery operated with 12V lamp
- Plug into car lighter socket

Stik-up™ is a small, durable incandescent luminaire weighing only 4 ounces. Light wire frame construction allows you to mount it where you need it in any position by almost any means. Tape it to a stand, camera dolly, scenery or furniture. Hang it by picture wire, stick it up with gaffer tape, alligator clip, even a clothespin! Snap-on arms for color filters or diffusion materials.

The three light kit is available in a light weight foam padded case, ready to go on location wherever you need it. The kit contains three heads with extension arms and lamps of your choice.



SU2600 / 204 42600 0000  
Stik-Up™ Kit in a Box

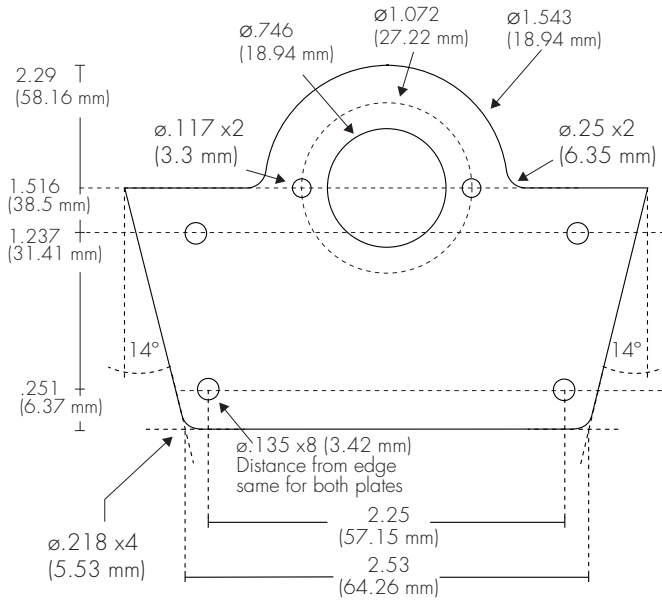
## PRODUCT SPECIFICATIONS

- Length: 4 in (10.16 cm)
- Width: 3 in (7.62 cm)
- Depth: 3 in (7.62 cm)
- Weight: 9 oz. (255.14 g)
- Finish: Powder coated 21 guage standard steel and 13 guage steel wire

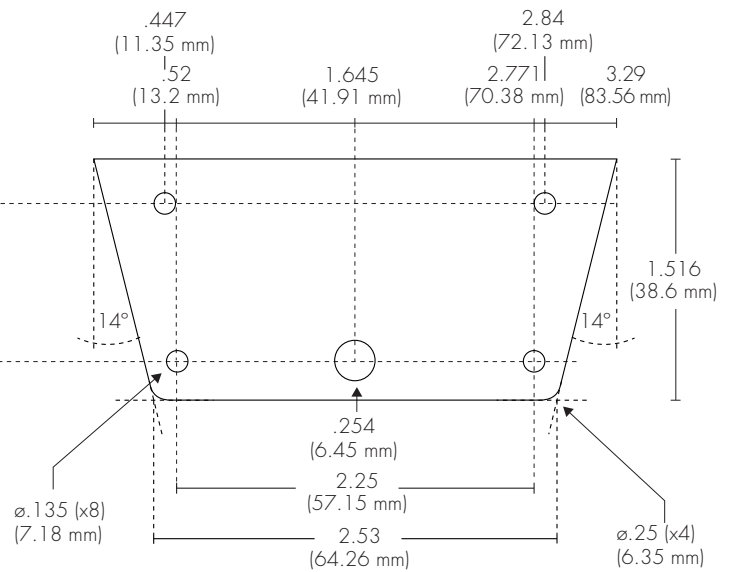
## PRODUCT NUMBER

- SU2600 / 204 42600 0000  
Stik-Up™ Kit in a Box
- SU2610 / 204 42610 0000  
Stik-Up™ (incl arms & clips' no lamp)
- SU2150 / 204 42630 0001  
Stik-Up™ Road Case Only (for kit of 3)
- SU2020 / 204 43100 0120  
Stik-Up™ Lamp - 100w x 120v
- SU2022 / 204 43125 0012  
Stik-Up™ Lamp - 125w x 12vDC
- SU2021 / 204 43150 0120  
Stik-Up™ Lamp - 150w x 120v
- SU2023 / 204 43200 0120  
Stik-Up™ Lamp - 200w x 120v
- SU2024 / 204 43200 0230  
Stik-Up™ Lamp - 200w x 230v

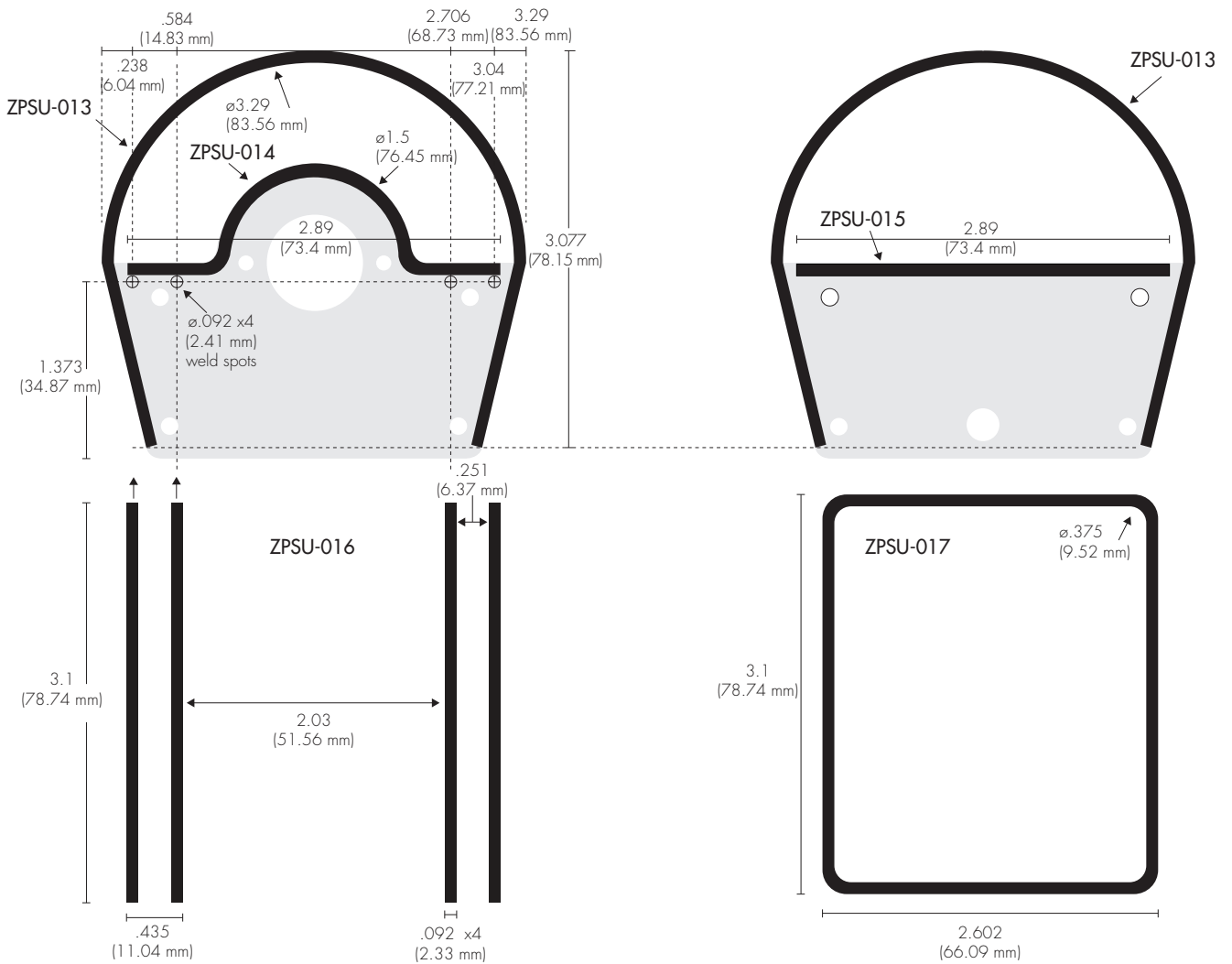
# ZPSU-012 - STIK•UP™ PLATE BOTTOM VIEW

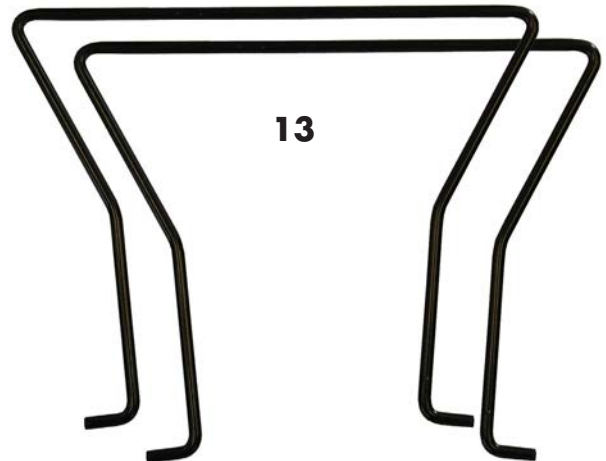
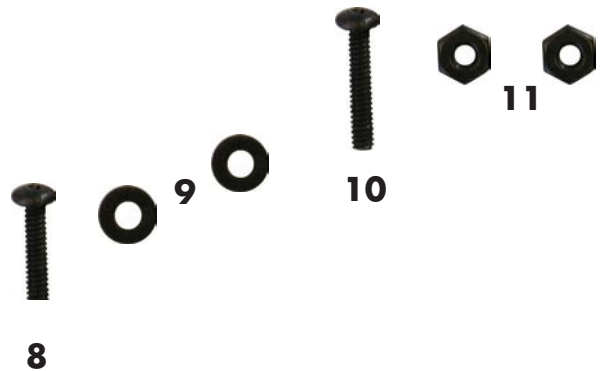
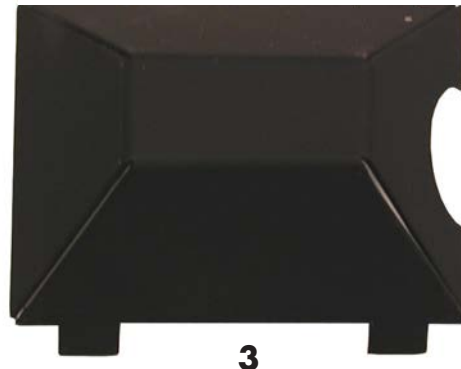
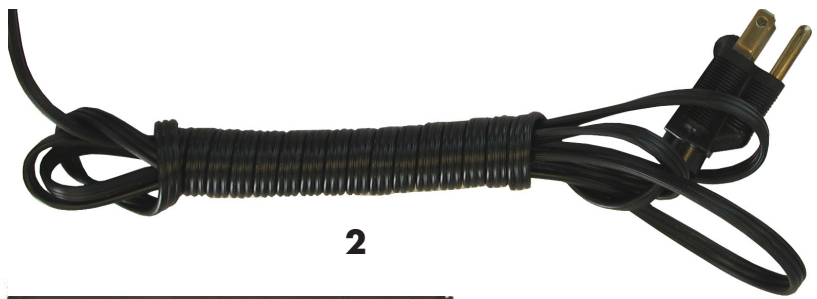


# ZPSU-011 - STIK•UP™ PLATE TOP VIEW



WIRE FRAME PARTS





**ACCESSORIES / REPLACEMENT PARTS**

- 1** ZPSU-01 / 204 49SU0 1000 Frames
- 2** ZPSU-02 / 204 49SU0 2000 Powercords
- 3** ZPSU-03 / 204 49SU0 3000 Reflectors
- 4** ZPSU-04 / 204 49SU0 4000 Insulator Gasket
- 5** ZPSU-05 / 204 49SU0 5000 Lamp Socket
- 6** ZPSU-06 / 204 49SU0 6000 Terminal Blk Metal Anchor
- 7** ZPSU-07 / 204 49SU0 7000 Black Cable Tie Anchor #8
- 8** ZPSU-08 / 204 49SU0 8000 4-40 x1/2 Phlps Pn Hd'Blk screw
- 9** ZPSU-09 / 204 49SU0 9000 No. 4 Flat Washer Steel' Blk
- 10** ZPSU-10 / 204 49SU1 0000 Screw 4/40x5/8 Phlps Pan hd'bk
- 11** ZPSU-11 / 204 49SU1 1000 4-40 Reg Hex Nut Stil' Blk
- 12** SU2624 / 204 44624 0001 Mounting Block
- 13** SU2620 / 204 44620 0002 Extension Arms (Set of 2)
- 14** SU2623 / 204 44623 0002 Black Clothes Pin (Set of 2)