

Fixture Type:

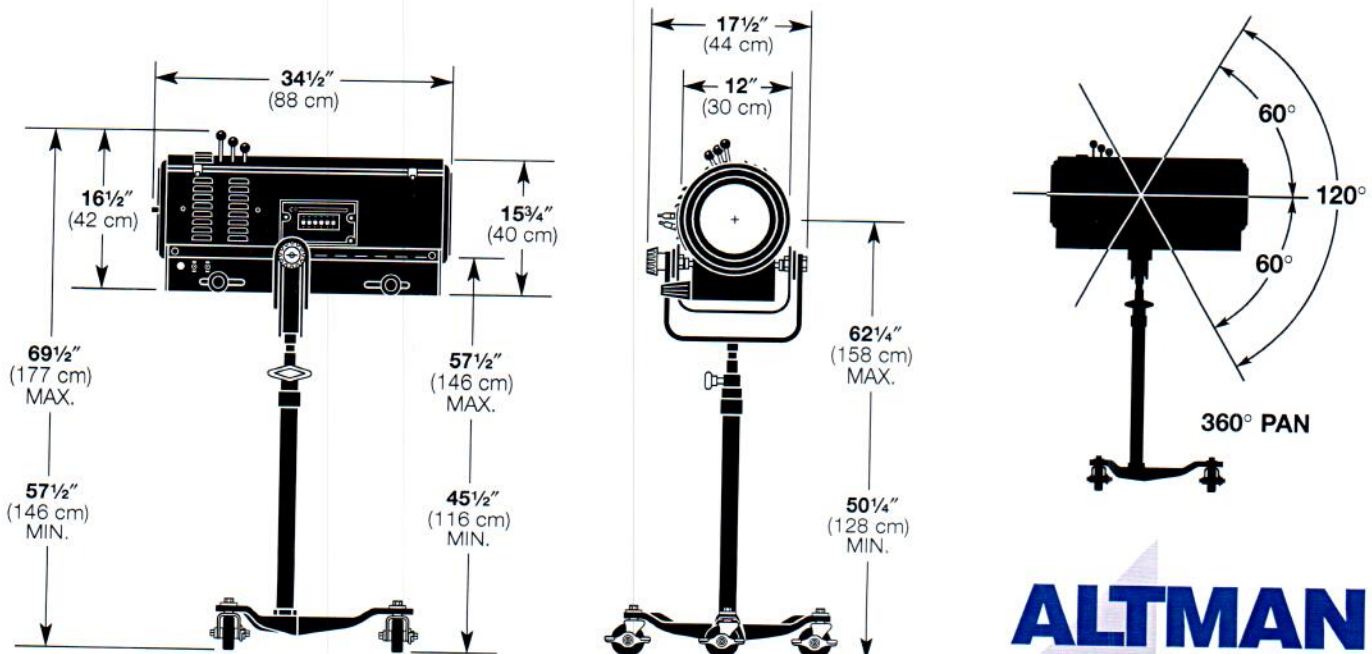
A ruggedly constructed medium- to long-throw followspot, the Altman Comet produces a narrow hard- or soft-edged beam that zooms from 2.3° to 12.2°. With top-mounted control handles for iris, shutter, and dimmer, this easy-to-use unit is designed to accept the unique high-performance FLE, ENX and FXL quartz halogen lamps. The Comet can be used in any application where manual control of a lighting beam is required to follow a performer and to vary beam size, quality and color.

Specifications subject to change without notice.

OLDEN LIGHTING
2008 ALEXANDER AVE
AUSTIN, TEXAS 78722
512-416-8080

360/410-WATT QUARTZ HALOGEN COMET
Features

- Sheet steel and die-cast aluminum construction
- Top-operated framing, iris, and dimmer controls
- Spring-loaded self-canceling color boom with douser
- Dual adjustable lenses
- Positive-locking pan and tilt adjustment
- Adjustable castered stand with cable hook included
- High-performance lamp
- Removable 25' power cable
- U.L.- and c.U.L.-listed for 410 watts
- Made in the U.S.A.



Specifications

Housing: Sheet steel and die-cast aluminum construction.

Materials: Corrosion-resistant materials and hardware.

Yoke: 1/8" flat steel with locking-dog tilt handle.

Lenses: All high-purity crown glass (white plate).

Socket: Miniature 2-pin G5.3; lamp ejector level provided; tool-free relamping.

Rating: Input, 120 VAC, 4.0 amps maximum. 220-240 VAC, 50/60 Hz units available.

Control Switches: Two 120 VAC, 20-amp toggle switches provided for POWER and LAMP.

Transformer: 410VA magnetic, Class B, 82-volt secondary.

Circuit Protection: 7-amp magnetothermal push-button resettable circuit breaker.

Cooling: Forced air from two low-noise fans furnished with finger guards.

Iris: 18-leaf high-grade stainless steel. Top-operated with heat-resistant knob.

Color Changer: 6-frame self-canceling color boom allowing single or multiple color insertion into beam path. Tool-free removal.

Douser: Instantaneous blackout capability; incorporated into self-canceling color boom.

Dimmer: Mechanical, heat-resistant brass, three leaf type. Top-operated with heat resistant knob.

Cable: Detachable 25' 14/3 SOW with male Edison plug.

Shutters: 2-leaf 18-gauge stainless steel. Top-operated with heat-resistant knob.

Access Door, Rear: Hinged, providing access to lamp for adjustment or replacement.

Access Door, Top: Hinged, providing access to lenses for cleaning and carriage rods for cleaning and lubricating.

Lamp: 410 watts maximum, 82-volt MR-16 type.

Focusing, Lamp: Fully adjustable with three alignment screws.

Focusing, Fixture: Dual-zoom lens carriers travelling along zinc-plated steel guide rails; each lens carrier provided with lock knob.

Stand: Three-legged, height adjustable (to 12" maximum), each leg with wheel and wheel lock. Height-adjustment lock allows for 360° continuous pan. Cable hook also included.

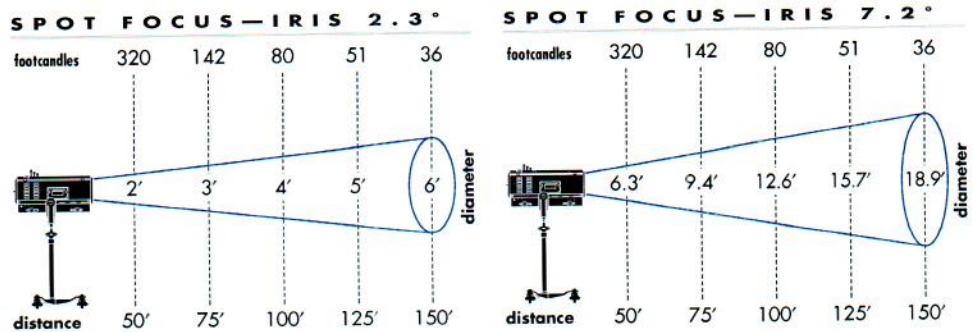
Finish: Black epoxy Sandtex, electrostatic application.

Weight: Approx. 55 lbs. (24.8 Kg) for lamphouse; approx. 36 lbs. (16.2 Kg) for stand (base, yoke, and support column). Total net weight approx. 91½ lbs. (41.2 Kg).

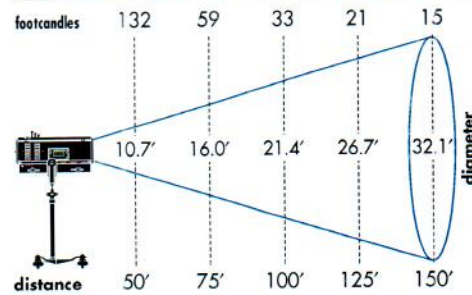
ACCESSORIES SUPPLIED WITH LUMINAIRE	
90-FLE	360-Watt 82-Volt MR-16 Lamp

Catalog
Number
COMET

PHOTOMETRIC DATA WITH FLE LAMP



FLOOD FOCUS—IRIS 12.2°



fixture type	focus	candlepower (cd)	beam angle	field angle
COMET	small spot with iris	800,000	2.3°	1.8°
	spot	800,000	5.1°	7.3°
	flood	330,000	7.6°	20.0°

LAMP INFORMATION

watts	volts	ANSI code	color temp. (°K)	rated life (hrs)	correction factor
575	100	FLE	3300	75	1.0
1200	100	ENX	3300	75	0.6
2500	100	FXL	3300	38	1.1