

20
16
/
17

Aladdin





Aladdin A-LITE

About the A-LITE

The Aladdin A-LITE is a high-end variable bi-color on-board LED light with an integrated battery. The light quality of the Aladdin A-LITE is outstanding with CRI and TLCI ratings of over 95 for both tungsten and daylight. The integrated lithium-ion battery has a runtime of 1 hour and 20 minutes at full power and can be charged quickly via the included Micro USB-to-USB cable. This USB cable allows you to power and/or charge the A-LITE from any USB charger, laptop, camera or battery with a USB port.

The A-LITE is the slimmest and lightest on-board light on the market and the housing is made from aircraft-grade aluminum. The light comes with a standard 1/4-20" thread to mount to any on-board adapter. A removable hinged, plastic diffuser is included with the light to soften the light even further. The A-LITE produces a color temperature range from tungsten (3000°K) to daylight (6000°K) and every point in between, and is completely dimmable from 5–100%.

In the box

- 1x A-LITE
- 1x Diffusion filter
- 1x USB cable

AMS-08T/D





Specifications

Light Source	Super high CRI Power LED's (8W)
Beam Angle	140°
Driver	Flicker-Free by CC driver (efficiency>93%)
Switch	Switch: (ON/OFF)
Dimmer	Dimming: (5%–100%)
Color temperature	3000°K–5600°K
Battery	3,7V 2,5A Li-ion battery
Housing material	Aluminium 6061 T6 (Aircraft grade)
Cooling	passive cooling
Dimension	156 x 80 x 11,5mm
Weight	205g
Power input	Micro USB 3,6V
Mounting	1/4 Screw

A-LITE

	60cm/2ft	1m/3ft	2m/6ft	3m/9ft	CRI
Daylight 6000K	840	230	60	32	92
BiColor 4200K	840	230	60	32	97
Tungsten 3000K	600	170	46	25	97



AMS-02SHOE



AMS-08BAT



AMS-08DF



AMS-FL40CLAMPPBH



AMS-02-MAG



AMS-02-POU2



AMS-02BALLSHOE



AMS-BA100

Aladdin EYE-LITE

About the EYE-LITE

There are three different versions of EYE-LITE available: Daylight, Tungsten or bi-color. The EYE-LITE (bi-color) is the newest to the family and has two integrated dimmers: one that adjusts color temperature between Tungsten (3000°K) and Daylight (6000°K) and one that controls light output – from 5–100%. The unit has an integrated lithium-ion battery that provides a run-time of over two hours. The housing is made from aircraft aluminum and the quality of the light color is superior to nearly all other daylight LED lights on the market:

- » CRI: 97ra (Tungsten) / 95ra (Daylight)
- » TLCI: 95

Each unit has a standard built-in ¼" thread for universal mounting and a micro USB plug for charging. The Eye Lite is ideal for many different applications. As the name implies, it's perfect for adding catch-lights in the eyes. Its power and small size allow it to be placed just about anywhere on set (inside furniture, shelves, lamps), as well as in tight spaces (cars, elevators, etc.).

What's included

EYE-LITE

Micro USB power supply cable



EYE-LITE Bi-Color AMS-02T/D



EYE-LITE Tungsten AMS-02T



EYE-LITE Daylight AMS-02D



Features and Benefits

Slim, sturdy, lightweight and portable

Highly quality bi-color output (Daylight/Tungsten)

Powered by built-in lithium-ion battery or AC adapter

Flicker-free by CC driver (93% efficiency)

100% to 5% dimming with no color shift

Long-life LEDs

Technical Specifications

CRI: 95ra

Color Temperature: Daylight (6000°K) / Tungsten (3000°K)

Beam Angle: 140°

Housing: Aluminum 6061 (aircraft grade)

Cooling: Air convection



AMS-02 1/4TH



AMS-BA50



AMS-02-POU2



AMS-02-MAG



AMS-02CLIP



AMS-02FCLAMP



AMS-02SHOE



AMS-FL40CLAMPPBH



AMS-POUCH



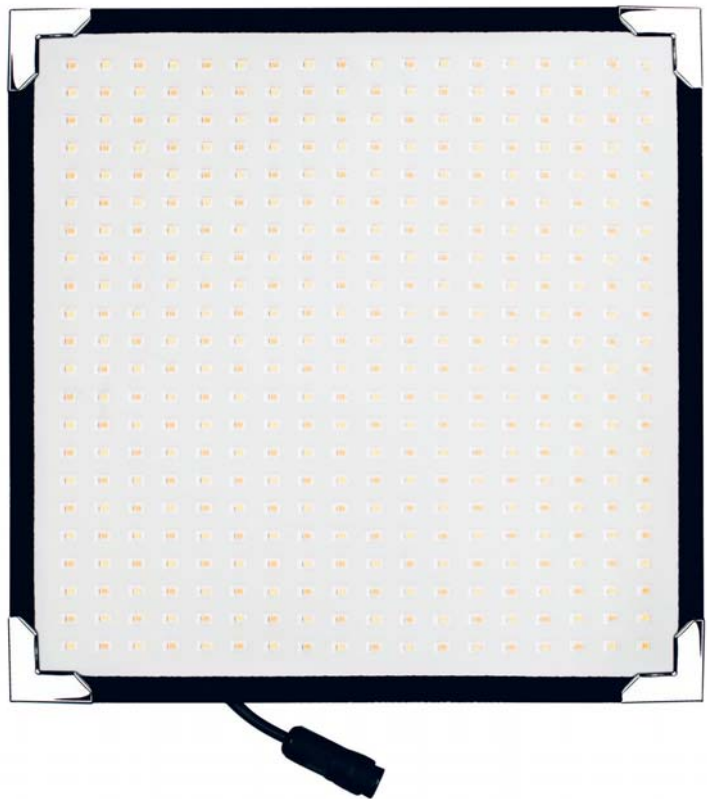
AMS-02BALLSHOE

Aladdin BI-FLEX1

About BI-FLEX1

The BI-FLEX1 is the first flexible BI Color LED panel for professional use in television, movie and photographic production with an outstanding light quality and a CRI and TLCI over 97. The BI-FLEX1 is the cinematographer's choice for a small, lightweight and powerful lighting tool for many applications like: portable interview light or to hide in narrow spaces like elevators, cars or even inside objects for product photography.

The BI-FLEX1 runs from main power supply or battery. The BI-FLEX1 comes with a dimmer and a mount for 16mm studs, to mount it onto your stands or clamps and it has on each corner a velcro enabling you to put it where ever you like, for instance to upgrade your old halogen softbox to LED. The BI-FLEX1 is a flexible panel light 30x30cm and less than 5mm thick.



In the box

- 1x BI-FLEX1
- 1x Dimmer
- 1x Stand-Mount
- 1x Powersupply 100V-240V
- 1x Extension cable
- 1x Diffusor



AMS-fl50Bi Kit

Specifications

Light Source	Super high CRI Power LED's (50W)
CRI	CRI 97 / TLCI 97
Beam Angle	140°
Dimmer	Dimming: (5%–100%)
Cooling	passive cooling
Dimension	300 x 300 x 5mm
Weight	390g
Input AC/DC	12v to 15 Volt Or 90-240V

Photometrics

Aladdin BI-FLEX1 | 50W

	60cm/2ft	1m/3ft	2m/6ft	3m/9ft	CRI
Daylight 6000K	4200lux	1600lux	450lux	210lux	98
BiColor 4200K	4600lux	1700lux	500lux	230lux	97
Tungsten 3000K	3400lux	1200lux	340lux	170lux	97



AMS-FL50BI1 CASE



AMS-FL50BI3KITCASE



AMS-FL50BI GM



AMS-FL50BI VM



AMS-FL50BI EXCA5M



AMS-FL50BI MH



AMS-FL50BI DTAB-S



AMS-FL50BIGRID



AMS-FL50POUCH1



AMS-FLBMPOLE



AMS-FL50BI SBX

Aladdin BI-FLEX2

About BI-FLEX2

The new BI-FLEX2 Kit builds off of the original BI-FLEX1 but twice the power and length, the dimmer has an integrated battery plate and features DMX controls. As with every other Aladdin product, the BI-FLEX2 is exceptionally well-built, splash-proof*, and features bi-color LED light with superior light output and quality. The color output is adjustable from tungsten to daylight and every point in between, and is completely dimmable from 100% to 10%. Most importantly, the light quality is the best available:

» CRI: 98ra (daylight) / 97ra (tungsten)

The BI-FLEX2 panel, at 24"x12" weighs only 1 pound! This kit includes a professional-grade dimmer with a battery plate built in (specify V-Lock or A/B Gold Mount) and DMX controls. It also includes a 1-stop Diffuser, an X-Bend Holder for mounting to stands or booms, a Ball Head Stand Mount, and a 16ft extension cable.

Working with high CRI bi-color light essentially means there is no need to color correction or warming gels (CTO). If you're shooting a portrait with the light set to full daylight and want to add a touch of warmth for improved skin tone, it's just a turn of a dial.

If you're working in tight quarters and there's no room for a stand, there's no problem, as you have several other mounting options. Every BI-FLEX panel has both male Velcro corners and mounting rings, which means you can mount to any surface using female Velcro, screws, nails or even suction cups. And of course, if it's easier, you can simply gaff-tape the panel to walls, ceilings or poles.

Working with the BI-FLEX is not like working with any other light. Because it is highly portable, throws beautiful variable light, can be mounted just about anywhere, and is easy to use and built to last, it will free you from conventional restrictions and allow you to improve the quality of your work.

In the box

1x BI-FLEX2

1x Dimmer with V-Mount Adapter and DMX

1x Stand-Mount

1x Powersupply 90V-260V

1x Extension cable 5m

1x Diffusor



AMS-fl100Bi Kit



Specifications

Light Source	Super high CRI Power LED's (50W)
CRI / TLCI	CRI97 / TLCI97
Color temperature	2900K – 6400K
Beam Angle	140°
Dimmer	Dimming: (5%–100%)
Cooling	passive cooling
Dimension	560 x 300 x 5mm
Kit Weight	1800g
Dimmer Input	12V to 30V
Power Unit	Automatic Voltage 90V–260V
Certification	CE TÜV GS UL

Photometrics

Aladdin BI-FLEX2 | 100W

	60cm/2ft	1m/3ft	2m/6ft	3m/9ft	CRI
Daylight 6000K	8300lux	4000lux	1290lux	450lux	98
BiColor 4200K	7000lux	3200lux	900lux	420lux	97
Tungsten 3000K	5500lux	2200lux	640lux	320lux	97



AMS-FL100BD



FL100BIBAG



AMS-FL100BIEXCA5M



AMS-FL50BHAD



AMS-FL100BISBX



AMS-FL100BIGRID



Aladdin BI-FLEX4

About BI-FLEX4

The new BI-FLEX4 Kit builds off of the original BI-FLEX 1x1 Kit, but this one is 1x4 and can be rolled up into a tube. Exceptionally well-built, splash-proof*, bi-color LED light with superior light output and quality. The color output is adjustable from tungsten to daylight and every point in between, and is completely dimmable from 100% to 10%. Most importantly, the light quality is the best available:

»CRI: 98ra (daylight) / 97ra (tungsten)

The Bi-Flex 4 panel, at 48"x12" weighs only 2 pounds! This kit includes a professional-grade dimmer with a battery plate built in (V-Lock or A/B Gold Mount) and DMX controls, and a 23ft extension cable.

Working with high CRI bi-color light essentially means there is no need to color correction or warming gels (CTO). If you're shooting a portrait with the light set to full daylight and want to add a touch of warmth for improved skin tone, it's just a turn of a dial.

If you're working in tight quarters and there's no room for a stand, there's no problem, as you have several other mounting options. Every BI-FLEX panel has both male Velcro corners and mounting rings, which means you can mount to any surface using female Velcro, screws, nails or even suction cups. And of course, if it's easier, you can simply gaff-tape the panel to walls, ceilings or poles.

Working with the Bi-Flex is not like working with any other light. Because it is highly portable, throws beautiful variable light, can be mounted just about anywhere, and is easy to use and built to last, it will free you from conventional restrictions and allow you to improve the quality of your work.

* Note that the BI-FLEX panel and cable are splashproof, but that the dimmer and transformer are not. These lights are not designed to be used underwater, though they have been recently successfully tested to varying pool depths for several hours without fail. However, it is important to note that the 1-year warranty for this product does not safeguard against any damage that may occur from such use.

In the box

1x BI-FLEX4

1x Dimmer with V-Mount
Adapter and DMX

1x Frame with 16mm stud

1x Powersupply 90V-260V

1x Extension cable 5m

1x Diffusor



AMS-FL200BIKIT



Specifications

Light Source	Super high CRI Power LED's (200W)
CRI	over 97
Color temperature	2900K–6400K
Beam Angle	140°
Dimmer	Dimming: (5%–100%)
Cooling	passive cooling
Dimension	1080 x 300 x 5mm
Kit Weight	3800g
Dimmer Input	12V to 30V
Power Unit	Automatic Voltage 90V–260V
Certification	CE TÜV GS UL

Photometrics

Aladdin BI-FLEX4 | 200W

	60cm/2ft	1m/3ft	2m/6ft	3m/9ft	CRI
Daylight 6000K	11000lux	6000lux	1800lux	840lux	98
BiColor 4200K	10000lux	5500lux	1700lux	800lux	97
Tungsten 3000K	8300lux	4200lux	1400lux	700lux	97



AMS-FL200BIDF



AMS-FL200BIEXCA5M



AMS-FL200BIFR



FL200BIBAG



Aladdin BI-FOLD



About BI-FOLD

The new BI-FOLD, which won Newsshooter's Best Lighting Innovation Award at NAB 2016 this year, offers a new approach to soft LED lighting. The BI-FOLD is similar in many ways to the BI-FLEX2 and 4 lights, but designed to withstand much more abuse. Rather than being comprised of a single, flexible Panel, the BI-FOLD can be folded flat for positioning or transport. 1x1' Individual waterproof (IP67) aluminum-cased panels are connected together to form either a 1x2' or 1x4' unit. Each Panel has an integrated diffuser to soften the light further, and uses the same Universal Dimmer/power supply as the BI-FLEX2 and 4 Kits, allowing you to power a BI-FOLD2 or 4 Kit via a Gold Mount or V-Lock battery.

One of the main advantages of the BI-FOLD is that you can create a two-person interview with just one light simply by folding the Panels flat so that soft light is projected in either direction. With the BI-FOLD4 Kit, you effectively have a 1x4' light panel that folds down to a 1x1' case! As you might imagine, the modular nature of this light will raise the bar on both location and studio light approaches everywhere.



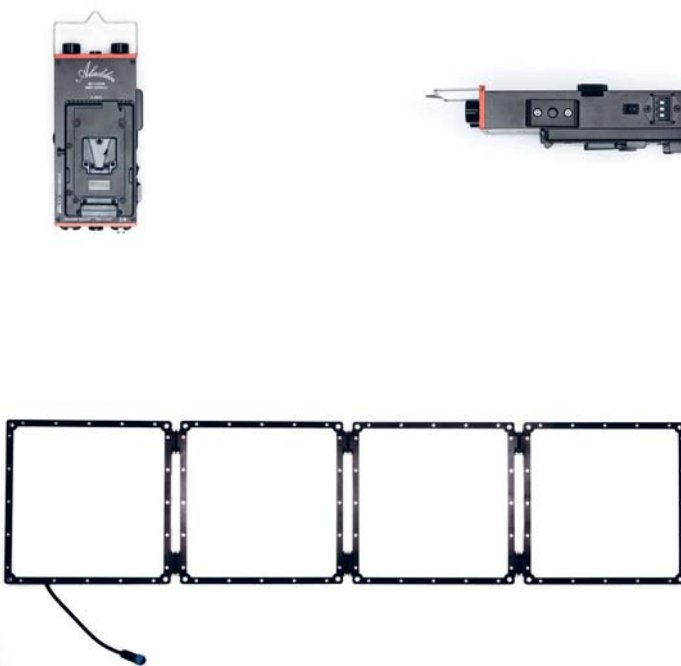
Specifications

Light Source	Super high CRI Power LED's (200W / 100W)
CRI	CRI98 / TLCI 98
Color temperature	2900K–6400K
Beam Angle	140°
Dimmer	Dimming: (5%–100%)
Cooling	passive cooling
Dimmer Input	12V to 30V
Power Unit	Automatic Voltage 90V–260V

Photometrics

Aladdin BI-FOLD4 I 200W

	60cm/2ft	1m/3ft	2m/6ft	3m/9ft	CRI
Daylight 6000K	9600lux	4800lux	1500lux	740lux	99
BiColor 4200K	9600lux	4800lux	1500lux	740lux	98
Tungsten 3000K	6300ux	3400lux	1100lux	560lux	98



FD200BIKIT



FD100BIKIT

Aladdin FOOT-LITE

About FOOT-LITE

The FOOT-LITE is a professional LED light fixture that fits in small or big studio facilities, but can also be used on location. The narrow design allows you to use almost anywhere, even where room height is limited. In big studio facilities, the FOOT-LITE can illuminate a virtual background softly and evenly. Frames for the FOOT-LITE allow you to hang two or four units together to create an asymmetrical light source. Each FOOT-LITE features variable bi-color output (3000°K to 6000°K) with built-in electronics. The housing is made of aircraft-grade aluminum and has integrated DMX In and Out. It also features a large manual dimmer and color temperature adjustment knob and has AC/ DC input.



FT50T/DKIT



Specifications

Light Source	Super high CRI Power LED's (50W)
CRI	CRI98 / TLCI98
Color temperature	2900K – 6400K
Beam Angle	140°
Dimmer	Dimming: (5%–100%)
Cooling	passive cooling
Dimension	516mm x 68mm x 72mm
Kit Weight	1.9 Kg
Dimmer Input	12V to 30V
Power Unit	Automatic Voltage 90V–260V

Photometrics

Aladdin FOOT-LITE

	60cm/2ft	1m/3ft	2m/6ft	3m/9ft	CRI
Daylight 6000K	3600lux	1400lux	370lux	170lux	98
BiColor 4200K	3200lux	1200lux	340lux	160lux	97
Tungsten 3000K	2600lux	970lux	280lux	140lux	96



FT4UFR



FT50GM



FT50VM



FT50B/D

Aladdin DESK-LITE

About DESK-LITE

The DESK-LITE is a small, variable bi-color LED light source with an integrated lithium-ion battery, housed in lightweight, durable aluminum. With the two knobs on the side you are able to dim and adjust the color temperature of the light. The DESK-LITE is ideal for eliminating shadows underneath the chin of your broadcast newscaster. With the built-in adjustable foot, you can position the light at any angle. The DESK-LITE also has a built-in (yet removable) diffuser to help soften the light, as well as an optional remote cable to turn the unit on and off.

AMS-20T/D



Specifications

Light Source	LED Bi-Color 20W
CRI / TLCI	95CRI / TLCI95
Color temperature	2900K–6400K
Beam Angle	140°
Dimmer	Dimming: (5%–100%)
Cooling	passive cooling
Dimension	250mm x 33mm x 69mm
Kit Weight	0.5 Kg
Dimmer Input	12V to 30V

Photometrics

Aladdin DESK-LITE

	60cm/2ft	1m/3ft	2m/6ft	3m/9ft	CRI
Daylight 6000K	1400lux	500lux	120lux	60lux	91
BiColor 4200K	1500lux	540lux	130lux	65lux	92
Tungsten 3000K	1100lux	320lux	100lux	50lux	92



AMS-20CHG



AMS-20DB



AMS-20HG



AMS-20SWITCH

Aladdin GENIE-LITE

About GENIE-LITE

The GENIE-LITE is a run-and-gun variable bi-color LED light with a built-in diffuser and is designed for ENG news reporters who need to respond quickly. There are several DC options with this powerful light:

- Small external lithium-ion battery
- Hand Grip with integrated lithium-ion battery
- D-Tap cable and port



AMS-50T/D



Specifications

Light Source	LED Bi-Color 40W
CRI	86
Color temperature	2900K–6400K
Beam Angle	140°
Dimmer	Dimming: (5%–100%)
Cooling	passive cooling
Dimension	80 x 76 x 117 mm
Kit Weight	400g
Dimmer Input	12V to 30V

Photometrics

Aladdin GenieLite

	60cm/2ft	1m/3ft	2m/6ft	3m/9ft	CRI
Daylight 6000K	2400lux	970lux	260lux	120lux	82
BiColor 4200K	2700lux	1100lux	280lux	130lux	86
Tungsten 3000K	2000lux	840lux	210lux	110lux	82



AMS-50BAP



AMS-50BD



AMS-50DTAB



AMS-50GB

